



2 Rail Post



Knee Rail Post



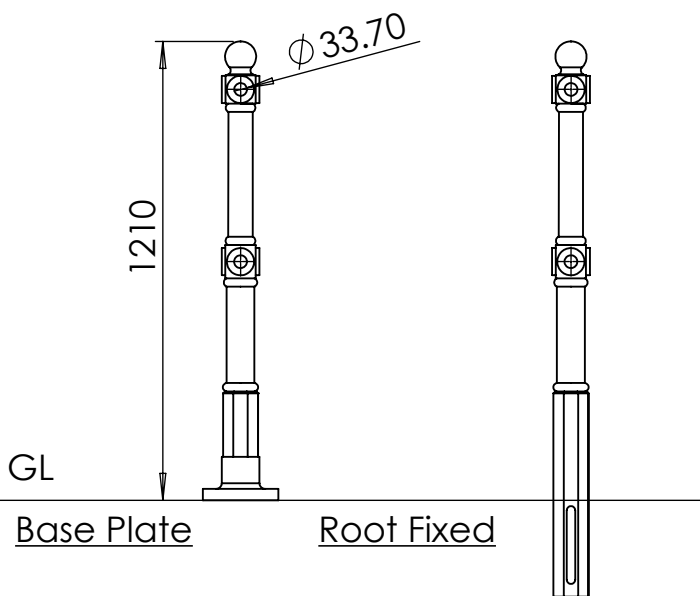
3 Rail Post



Post and Panel



Post and Panel With Top Rail



Post & Rail | ASF Buckingham Post - Cast or Ductile Iron

Materials
Standard Finish
Optional Finish
Rail Options

Post Options
Extras

Available in either 100% recycled engineering grade 250 cast iron (as standard) or ductile iron
Posts are supplied in zinc rich metal primer
ASF Metal Shield Gloss in any standard RAL or BS colour
As standard rails are supplied in straight lengths at 6.4m or 7m.
Standard rail diameters as per drawing, other diameters available on request
Posts can be adapted to negotiate various site conditions such as gradients, steps, corners etc.
Fixing bolts, lead wedges and gun applied sealant can be applied on request